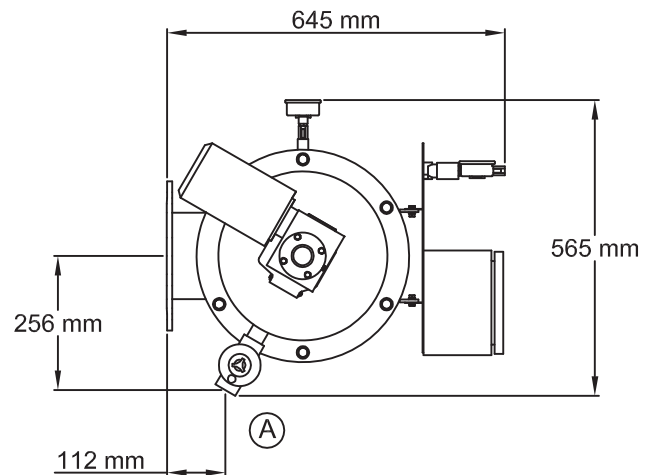



- (A) Colector drenaje 1"
1" Drainage manifold
- (B) Colector entrada 6"
6" Inlet manifold
- (C) Colector salida 6"
6" Outlet manifold



AZUD LUXON LDB 4800/6

SCALE S/E A4 FORMAT	MATERIAL:	RESPONS.: M. Martínez	
	UNITS: mm.	REVISION: 00	
	FILE: Azud_luxon_LDB_4800-6.dwg	31/05/2011	