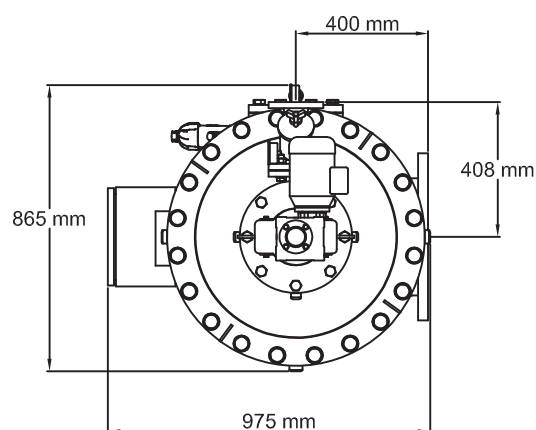


- (A) Colector drenaje 2"  
2" Drainage manifold
- (B) Colector entrada 14"  
14" Inlet manifold
- (C) Colector salida 14"  
14" Outlet manifold



### AZUD LUXON LDB 16100/14

SCALE S/E A4 FORMAT	MATERIAL:	RESPONS.: M. Martínez	<b>AZUD</b>
	UNITS: mm.	REVISION: 00	
	FILE: Azud_luxon_LDB_16100-14.dwg	08/05/2012	